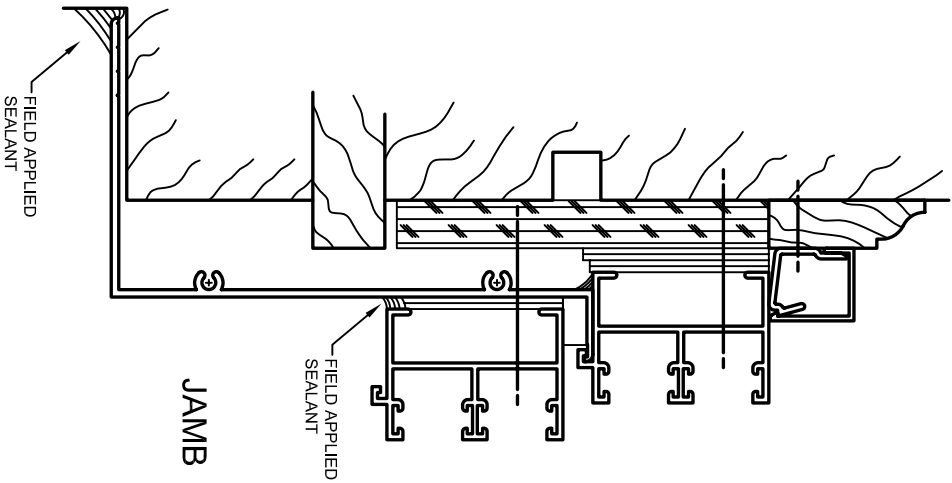


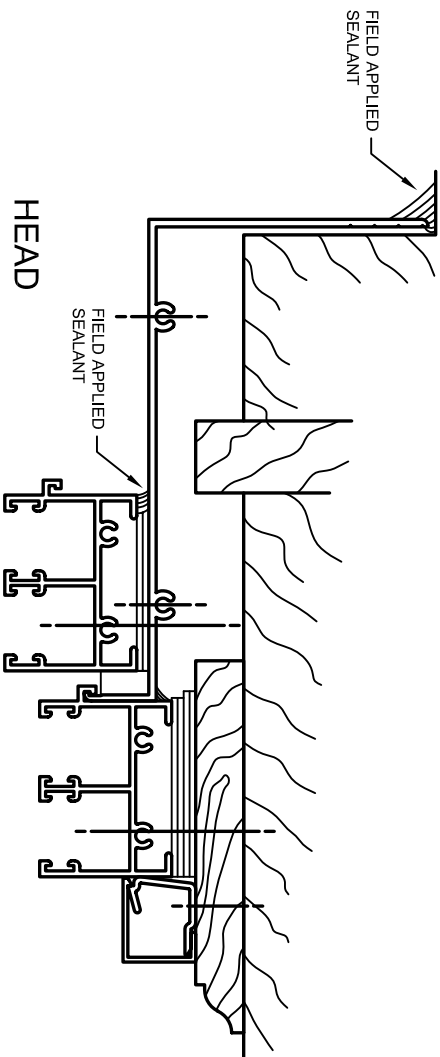


Aluminum Windows

Mon-Ray, Inc.
Phone: (800) 544-3646
Fax: (763) 546-8977
www.monray.com



FULL SCALE (11 X 17)



HALF SCALE (8-1/2 X 11)

DeVAC 400 SERIES

INSTALLATION
DETAILS

SECONDARY GLAZING
WOOD REPLACEMENT

DRAWING
DV-400-304