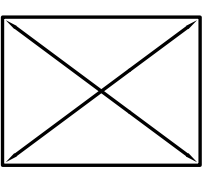


SINGLE GLAZED, EXISTING WOOD OPENING

CAULKING NOTE:

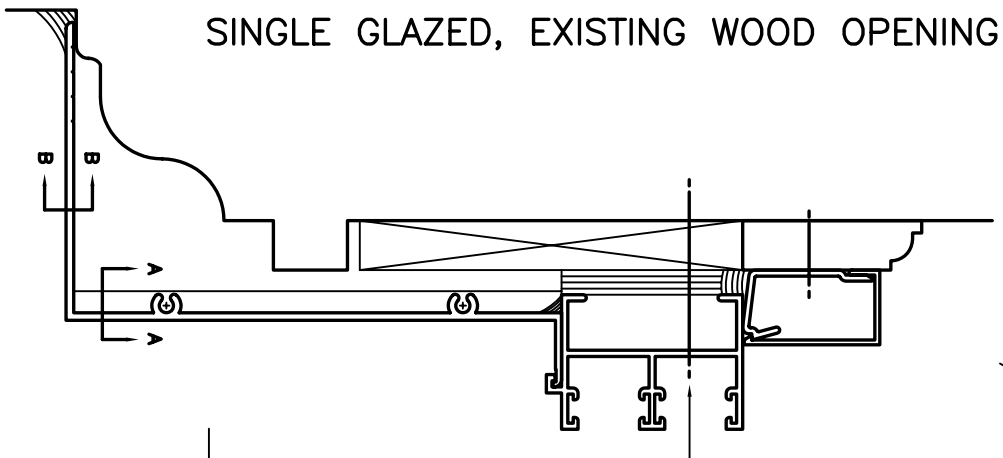
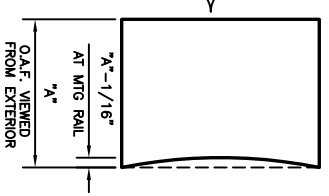
ALL CAULKING OR SEALANT USED FOR ASSEMBLY OF WINDOW UNITS (AS SHOWN OR NOTED) TO BE FACTORY APPROVED CAULKING OR SEALANT



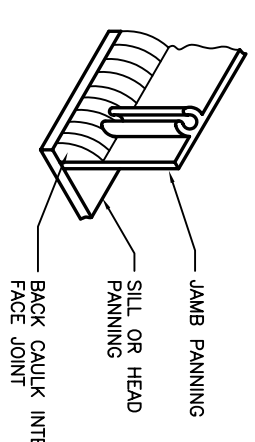
* WINDOWS ARE TO BE SQUARED BY USING DIAGONAL MEASUREMENTS WITH A TOLERANCE OF ± 1/16"

ERECTOR NOTE:

- FRAMES MUST BE INSTALLED SQUARE WITH ALL MEMBERS STRAIGHT FOR 430, 440, AND 450 SERIES.
- FRAMES MUST BE INSTALLED SQUARE WITH ALL MEMBERS STRAIGHT EXCEPT FOR RIGHT STILE THAT IS TO BE BOWED INWARD AT MEETING RAILS FOR 460 SERIES ONLY.
- DeVAC WINDOW GUARANTEE BECOMES VOID IF UNITS ARE NOT INSTALLED PER INSTRUCTIONS AS SHOWN OR NOTED



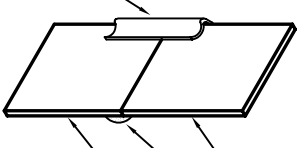
SECTION "A - A"



JAMB PANNING
SILL OR HEAD PANNING
BACK CAULK INTERIOR FACE JOINT

#10 x 1 3/4" PHIL. FLAT HEAD S.S. S.M.S. NO. 6171 FOR 430, 440, AND 450 SERIES
OR
#10 x 2 1/2" PHIL. FLAT HEAD S.S. S.M.S. NO. 6172 FOR 460 SERIES ONLY

SECTION "B - B"

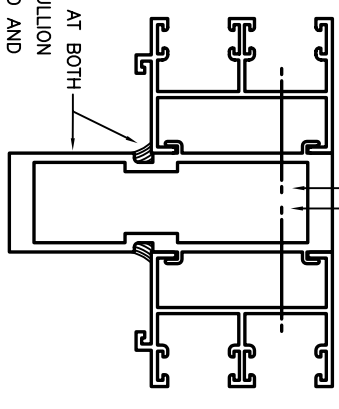


JAMB PANNING
BACK CAULK INTERIOR FACE JOINT
SILL OR HEAD PANNING

1 - ALIGNMENT CLIP NO. 9045 PER CORNER WHERE VERTICAL PANNING BUTTS TO HORIZONTAL PANNING

FIELD CAULK AT BOTH SIDES OF MULLION AND AT HEAD AND SILL PANNING CONTINUOUS

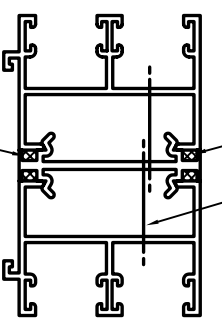
MULLIONS



#10 x 1 1/4" PHIL. FLAT HEAD S.S. S.M.S. NO. 6169 FOR SERIES 430, 440, 450 AND 460 JAMBS WITH MULLIONS
OR
#10 x 1 3/4" PHIL. FLAT HEAD S.S. S.M.S. NO. 6171 FOR SERIES 430, 440, 450, AND 460 JAMBS WITHOUT MULLIONS

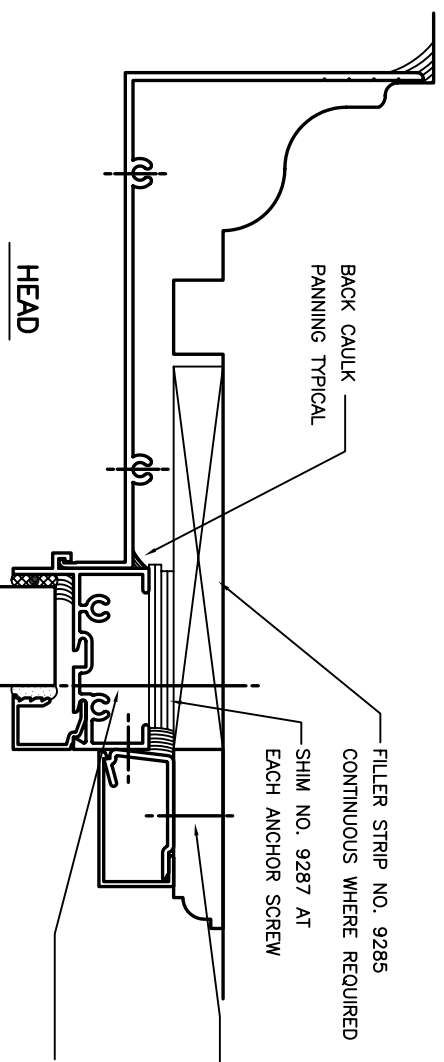
#10 x 1 1/4" PHIL. FLAT HEAD S.S. S.M.S. NO. 6169 FOR SERIES 430, 440, AND 450 JAMBS WITH MULLIONS
OR
#10 x 1 1/2" PHIL. FLAT HEAD S.S. S.M.S. NO. 6170 FOR SERIES 460 JAMBS WITH MULLIONS

SAME AS ABOVE
SAME AS BELOW



FIELD CAULK WITH APPROVED MATERIAL CONTINUOUS

FIELD CAULK TYPICAL



HEAD

BACK CAULK PANNING TYPICAL

FILLER STRIP NO. 9285 CONTINUOUS WHERE REQUIRED
SHIM NO. 9287 AT EACH ANCHOR SCREW

#8 x 5/8" PHIL. PAN HEAD S.S. S.M.S. NO. 6066 FOR 460 SERIES ONLY WHEN THE NO. 1976 BALANCE HEADER IS USED
#10 x 1 3/4" PHIL. PAN HEAD S.S. S.M.S. NO. 6171 TYPICAL FOR ALL 400 SERIES

TRANSOM

FIELD CAULK WITH APPROVED MATERIAL CONTINUOUS

.150 x .375 TREMCO POLYSHIM II TAPE - SHOP OR FIELD APPLIED. HEAD AND SILL RUN THROUGH WITH JAMBS BUTTING BETWEEN AND CAULKING AT JOINTS.

#10 x 1" PHIL. FLAT HEAD S.S. S.M.S. NO. 6168

SILL

#8 x 5/8" PHIL. PAN HEAD S.S. S.M.S. NO. 6066 TYPICAL 8 - PLACES

#6 x 1/4" PHIL. PAN HEAD S.S. S.M.S. NO. 6063 APPROX. 2" FROM PANNING ENDS AND EACH SIDE OF MULLION W/1/16" O/C FOR REMAINDER

BLOCK AND SHIM AS REQUIRED UNDER MULLIONS AND UNDER 450 SERIES MEETING RAILS AND UNDER 460 SERIES WHENEVER WASHER BOLTS ARE REQUIRED

SHOP APPLY #10 x 1" PHIL. FLAT HEAD S.S. S.M.S. NO. 6168

SHOP APPLY #10 x 1 1/4" PHIL. FLAT HEAD S.S. S.M.S. NO. 6169

USE THIS ASSEMBLY WITH 460 SERIES AND NO. 1976 BALANCE HEAD

#8 x 5/8" PHIL. PAN HEAD S.S. S.M.S. NO. 6066 (SEAL SCREW THREADS WHEN FASTENING INTO HOLLOW)

TRIM AND CLIPS VARIABLE CLIPS SPACED 10" TO 14" ±
#8 x 1" PHIL. PAN HEAD S.S. S.M.S. NO. 6046 - TYPICAL ALL CLIPS
FIELD CAULK

INSTALLATION INSTRUCTIONS

FOR SINGLE GLAZED DeVAC 400 SERIES REPLACEMENT WINDOWS