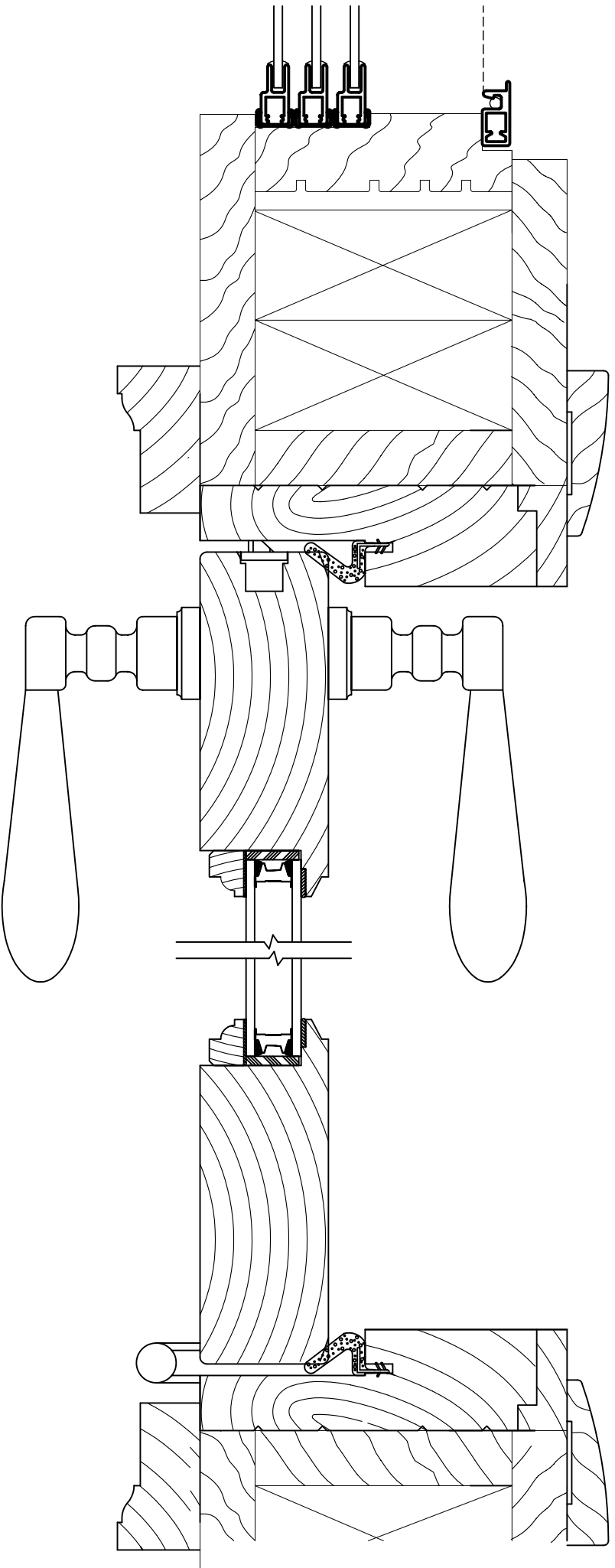




Mon-Ray, Inc.
Phone: (800) 544-3646
Fax: (763) 546-8977
www.monray.com



GLASSWALLS PORCH ENCLOSURE
PRIME DOOR INSTALLATION

TYPICAL
INSTALLATION

GLAZED WITH 1/8"X1/8" CLEAR TEMPERED INSUL. GLASS
IN THE PRIME DOOR

DRAWING
GW-803