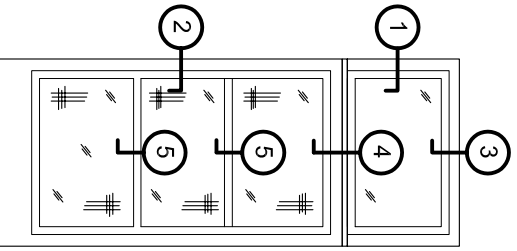




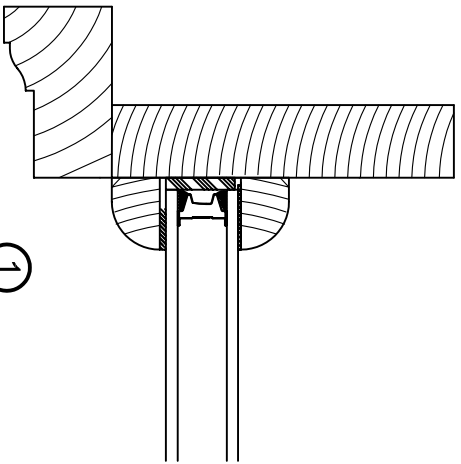
Mon-Ray, Inc.
 Phone: (800) 544-3646
 Fax: (763) 546-8977
 www.monray.com



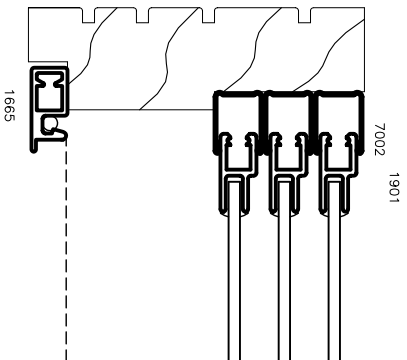
③ HEAD

④ MULLION

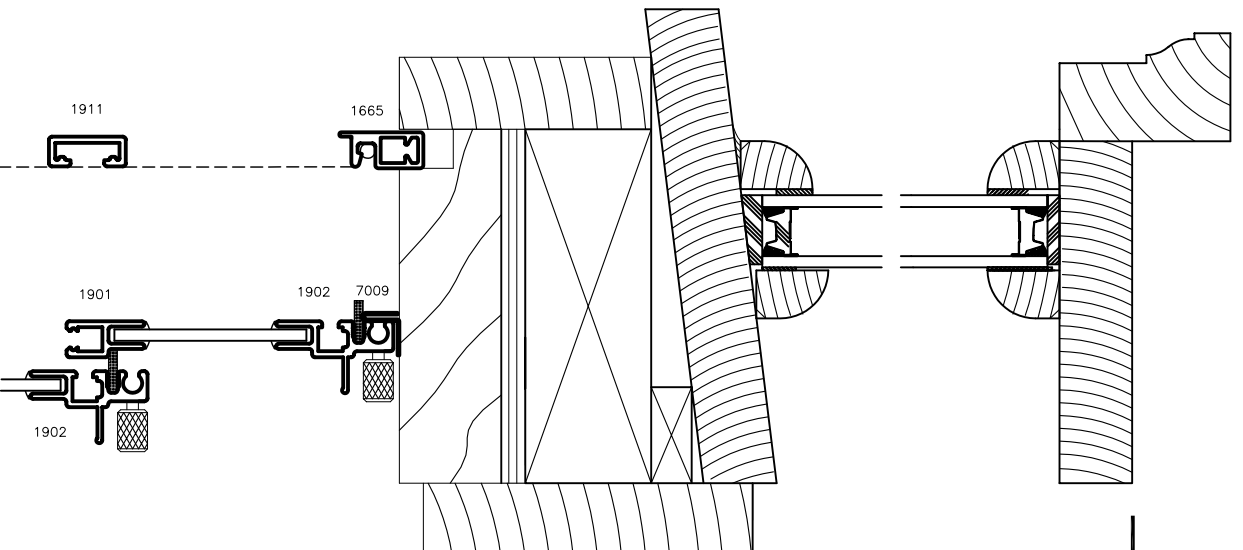
⑤ MEETING RAIL



① JAMB



② JAMB



HALF SCALE (8-1/2 x 11)

FULL SCALE (11 x 17)

GLASSWALLS PORCH ENCLOSURE
 FIXED TRANSOM PANEL ABOVE GLASSWALL UNIT

TYPICAL
 DETAIL

GLAZED WITH 1/8" CLEAR TEMPERED GLASS

DRAWING
 GW-806