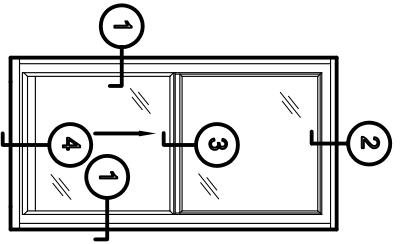




Storm Windows & Doors

Mon-Ray, Inc.
 Phone: (800) 544-3646
 Fax: (763) 546-8977
 www.monray.com



2-LITE DH

SURFACE CAULK FULL PERIMETER
 AFTER INSTALLATION WITH
 VULKEM #116 CAULK.

1/8" CLEAR REDWOOD SHIMS
 (AS REQUIRED)

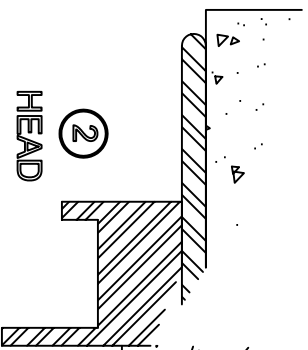
JAMB

#8 X 1 PHIL PAN HD SS SMS
 WITH S-5 FISCHER PLUGS
 HEADS PAINTED TO MATCH.

① JAMB

FULL SCALE (11 x 17)

MON-RAY MODEL 500 SERIES - F-CHANNEL ON STEEL
 DOUBLE HUNG WITH 1855 F-CHANNEL



② HEAD

#8 X 1 PHIL PAN HD SS SMS
 WITH S-5 FISCHER PLUGS
 HEADS PAINTED TO MATCH.

SURFACE CAULK FULL PERIMETER
 AFTER INSTALLATION WITH
 VULKEM #116 CAULK.

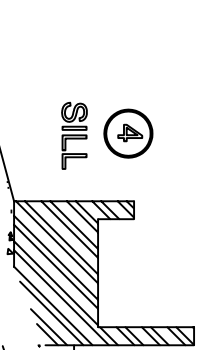
1/8" CLEAR REDWOOD SHIMS
 (AS REQUIRED)

HEAD

③ MEETING
 RAIL

#8 X 1 PHIL PAN HD SS SMS
 WITH S-5 FISCHER PLUGS
 HEADS PAINTED TO MATCH.

④ SILL



#6 X 3/8 PHIL PAN HD SS SMS
 HEADS PAINTED TO MATCH.

1/8" CLEAR REDWOOD SHIMS
 (AS REQUIRED)

SURFACE CAULK FULL PERIMETER
 AFTER INSTALLATION WITH
 VULKEM #116 CAULK.

HALF SCALE (8-1/2 x 11)

TYPICAL
 INSTALLATION

GLAZED WITH 1/8" CLEAR FLOAT GLASS

DRAWING
 MR-500-804