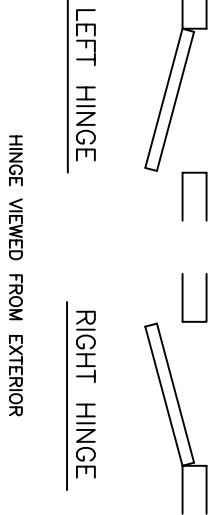
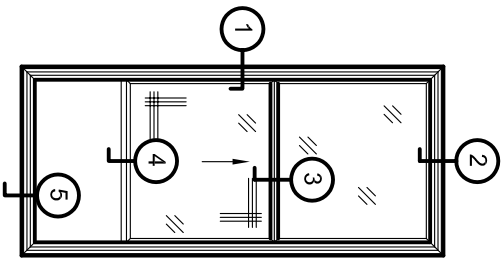


Storm Windows & Doors

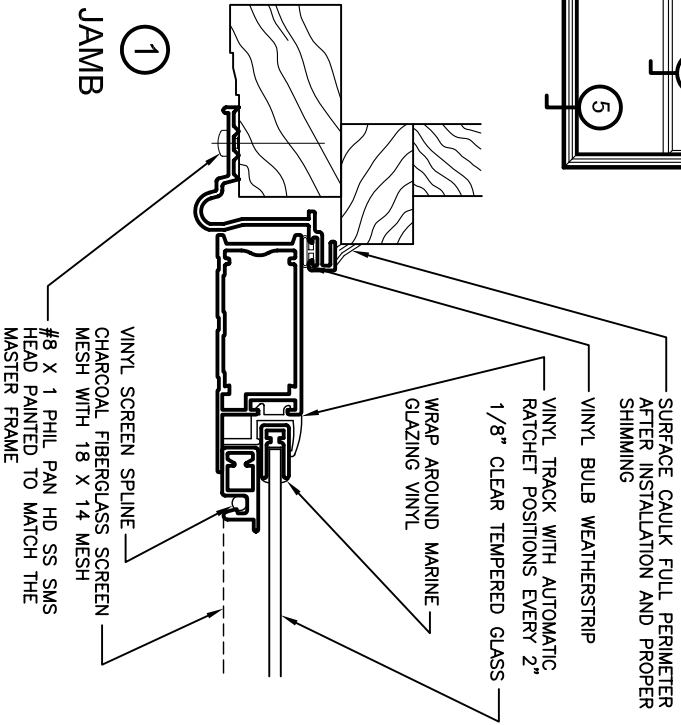
Mon-Ray, Inc.
 Phone: (800) 544-3646
 Fax: (763) 546-8977
 www.monray.com



LEFT HINGE

RIGHT HINGE

HINGE VIEWED FROM EXTERIOR



SURFACE CAULK FULL PERIMETER AFTER INSTALLATION AND PROPER SHIMMING

VINYL BULB WEATHERSTRIP

VINYL TRACK WITH AUTOMATIC RATCHET POSITIONS EVERY 2"

1/8" CLEAR TEMPERED GLASS

WRAP AROUND MARINE GLAZING VINYL

VINYL SCREEN SPLINE

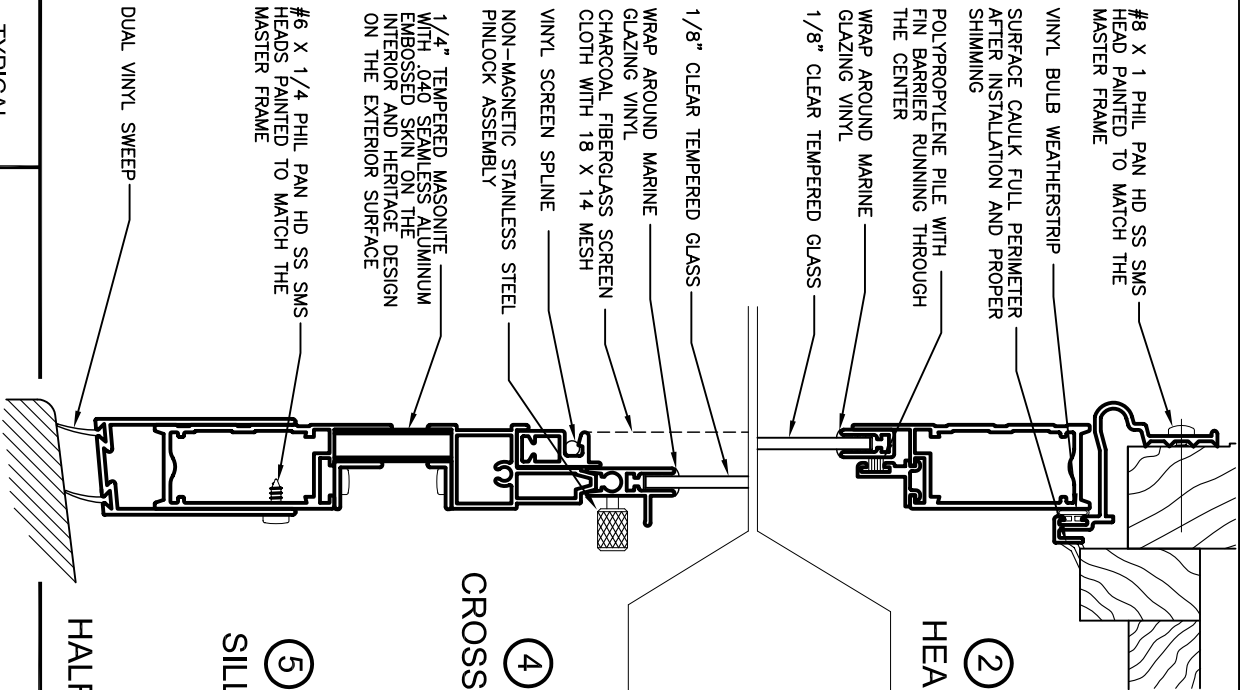
CHARCOAL FIBERGLASS SCREEN MESH WITH 18 X 14 MESH

#8 X 1 PHIL PAN HD SS SMS HEAD PAINTED TO MATCH THE MASTER FRAME

JAMB

FULL SCALE (11 X 17)

MON-RAY MODEL 802 - 803 - 804
 STORM DOOR



#8 X 1 PHIL PAN HD SS SMS HEAD PAINTED TO MATCH THE MASTER FRAME

VINYL BULB WEATHERSTRIP

SURFACE CAULK FULL PERIMETER AFTER INSTALLATION AND PROPER SHIMMING

POLYPROPYLENE PILE WITH FIN BARRIER RUNNING THROUGH THE CENTER

WRAP AROUND MARINE GLAZING VINYL

1/8" CLEAR TEMPERED GLASS

1/8" CLEAR TEMPERED GLASS

WRAP AROUND MARINE GLAZING VINYL

CHARCOAL FIBERGLASS SCREEN CLOTH WITH 18 X 14 MESH

VINYL SCREEN SPLINE

NON-MAGNETIC STAINLESS STEEL PINLOCK ASSEMBLY

1/4" TEMPERED MASONITE WITH .040 SEAMLESS ALUMINUM EMBOSSED SKIN ON THE INTERIOR AND HERITAGE DESIGN ON THE EXTERIOR SURFACE

#6 X 1/4 PHIL PAN HD SS SMS HEADS PAINTED TO MATCH THE MASTER FRAME

DUAL VINYL SWEEP

2 HEAD

3 MEETING RAIL

4 CROSSBAR

5 SILL

HALF SCALE (8-1/2 X 11)

TYPICAL INSTALLATION

DRAWING
 MR-800-801