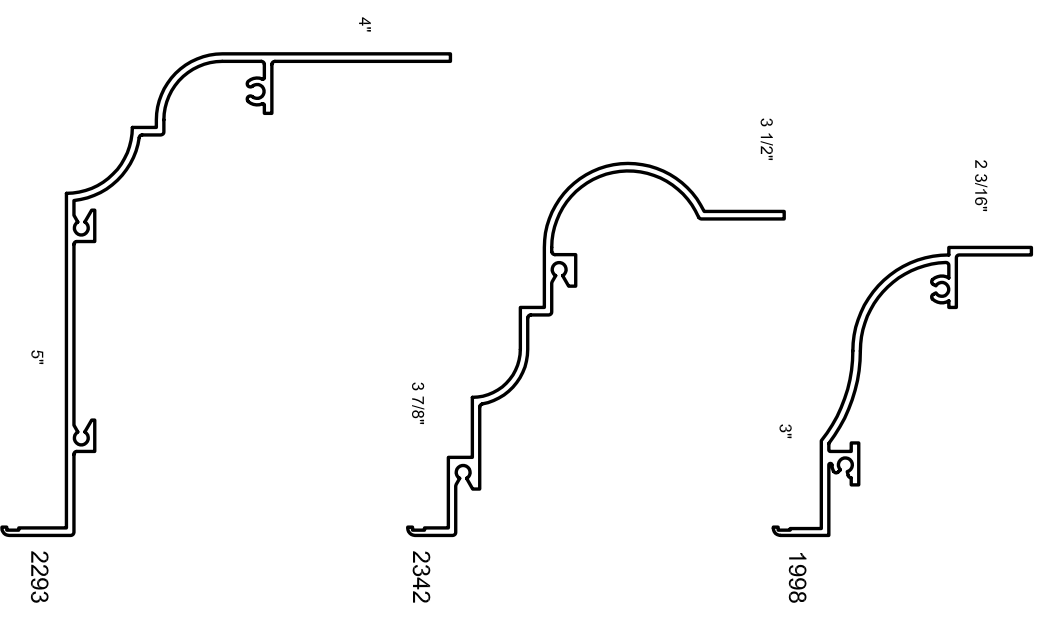
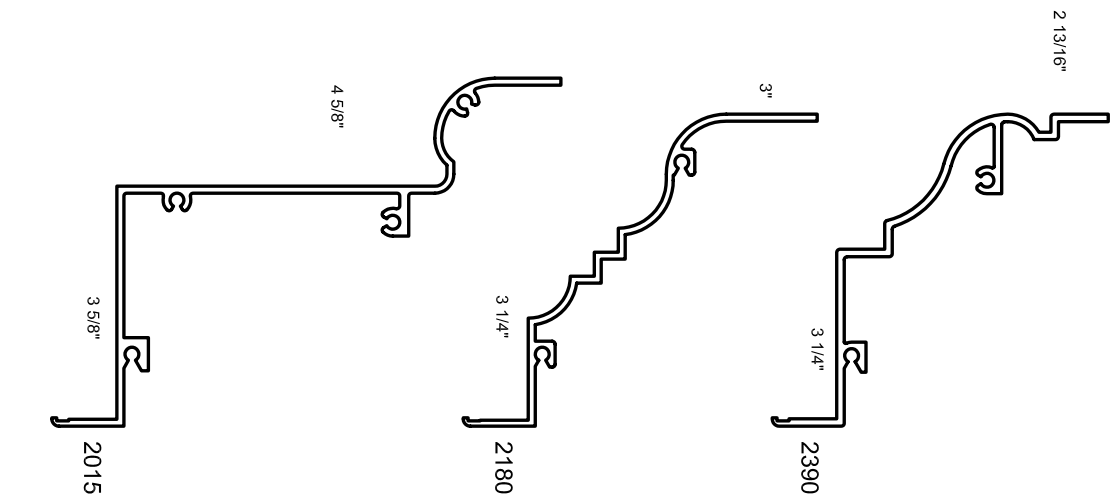
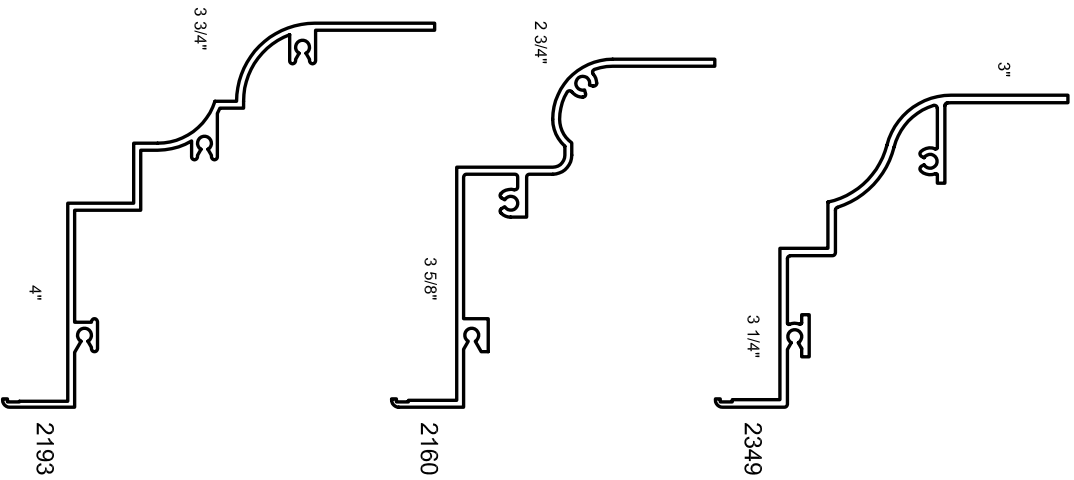




Aluminum Windows

Mon-Ray, Inc.  
Phone: (800) 544-3646  
Fax: (763) 546-8977  
www.monray.com



FULL SCALE (11 X 17)

HALF SCALE (8-1/2 X 11)

# DeVAC 400 SERIES

EXTERIOR PANNING

ACCESSORIES  
DETAILS

CONTACT SALES REPRESENTATIVE FOR AVAILABILITY

DRAWING  
DV-400-030