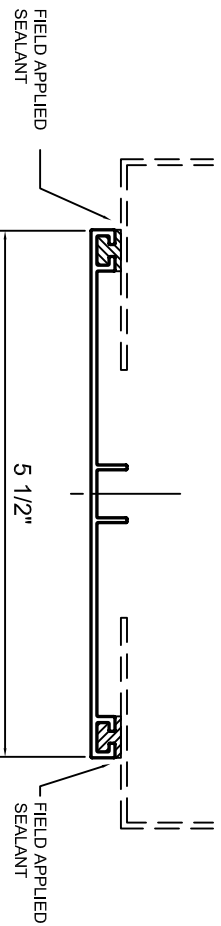




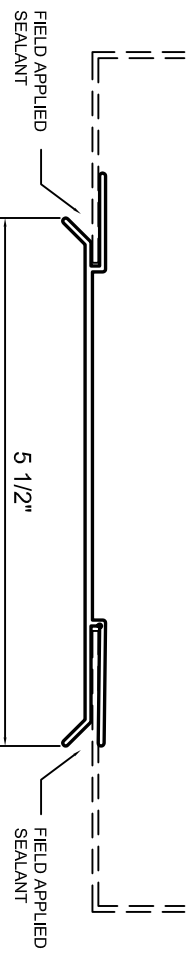
Aluminum Windows

Mon-Ray, Inc.  
Phone: (800) 544-3646  
Fax: (763) 546-8977  
www.monray.com

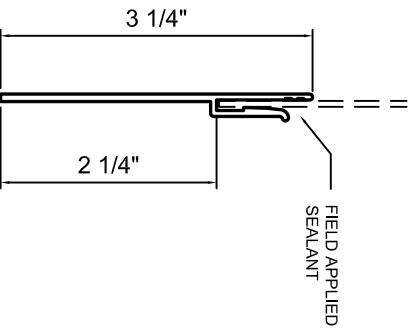
#1202 FASTEN-ON MULLION COVER



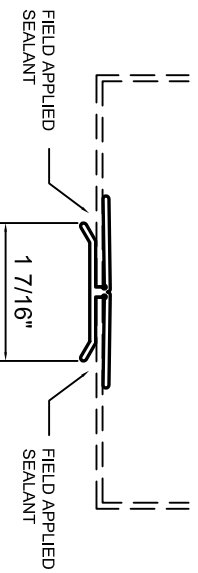
#1400 SLIDE-ON MULLION COVER



#1611 SLIDE-ON PANNING EXPANDER



#1510 SLIDE-ON MULLION COVER



FULL SCALE (11 x 17)

HALF SCALE (8-1/2 x 11)

DeVAC 400 SERIES  
MISC. TRIMS

ACCESSORIES  
DETAILS

MULL COVERS 1202, 1400, 1510  
EXPANDER 1611

DRAWING  
DV-400-050