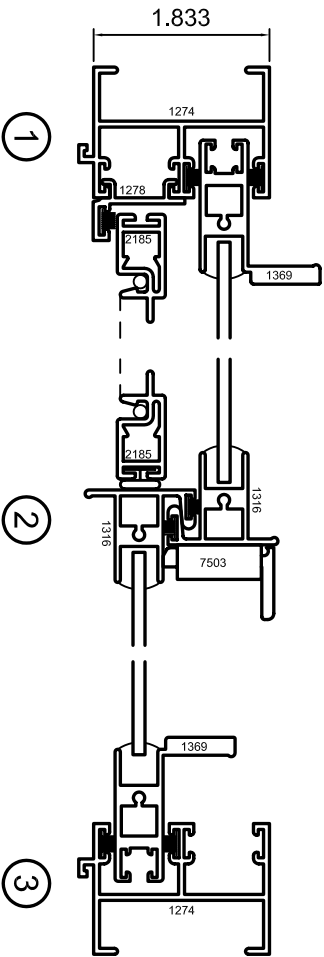
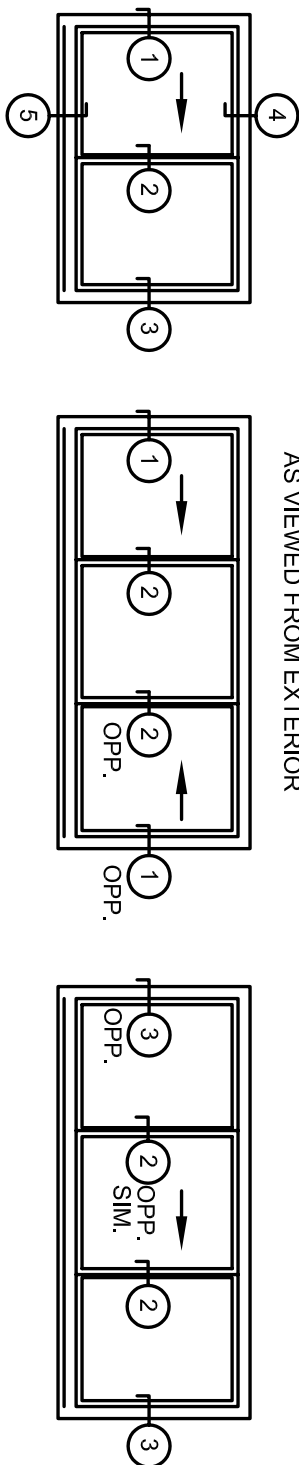




Aluminum Windows

Mon-Ray, Inc.  
 Phone: (800) 544-3646  
 Fax: (763) 546-8977  
 www.monray.com

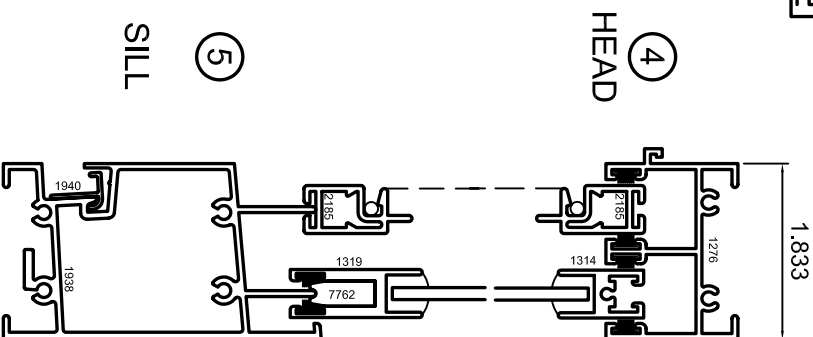
AS VIEWED FROM EXTERIOR



JAMB

MEETING RAIL

JAMB



HEAD

SILL

FULL SCALE (11 x 17)

HALF SCALE (8-1/2 x 11)

DEVAC MODEL 450

HORIZONTAL SLIDER (GL)

TYPICAL  
DETAILS

STANDARD GLAZING THICKNESS: 1/8"  
 OPTIONAL GLAZING THICKNESSES: 3/16" & 1/4"

DRAWING  
DV-450-001