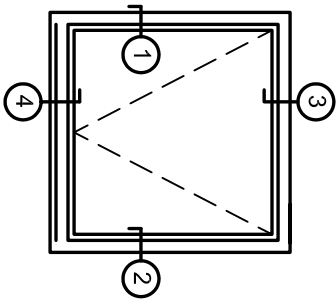


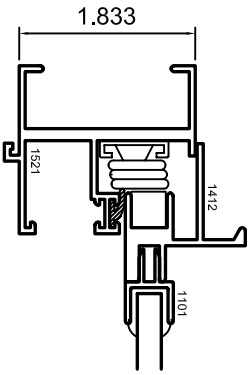
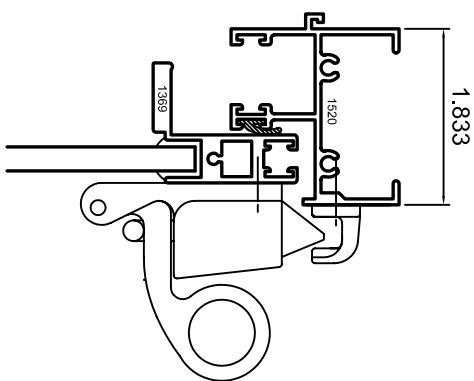


Aluminum Windows

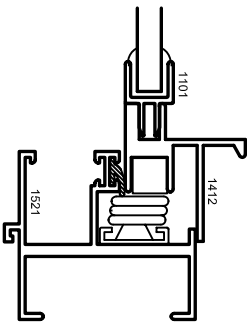
Mon-Ray, Inc.
Phone: (800) 544-3646
Fax: (763) 546-8977
www.monray.com



③ HEAD

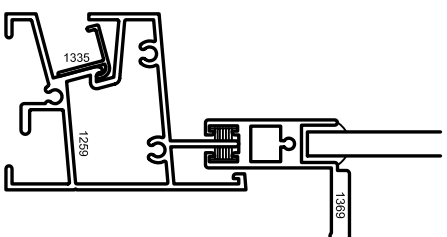


① JAMB



② JAMB

② SILL



FULL SCALE (11 x 17)

HALF SCALE (8-1/2 x 11)

DEVAC MODEL 470

INSWING HOPPER

TYPICAL
DETAILS

STANDARD GLAZING THICKNESS: 1/4"

DRAWING
DV-470-001