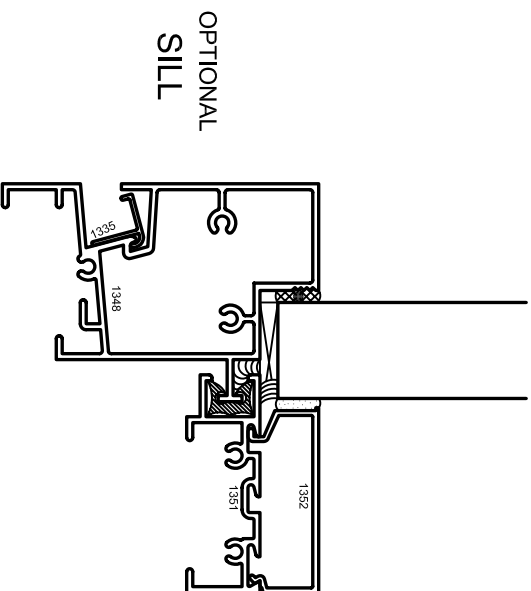
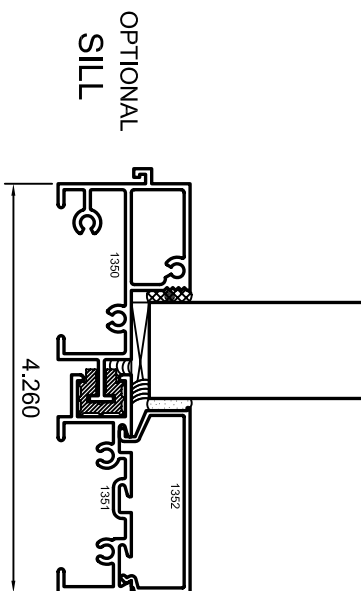
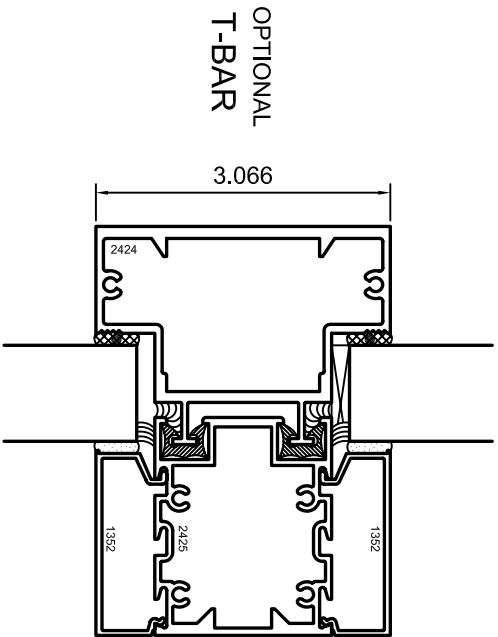
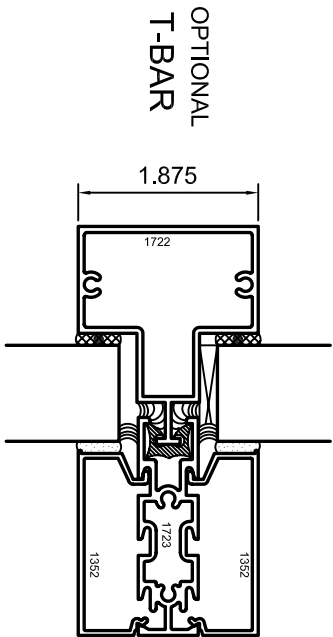


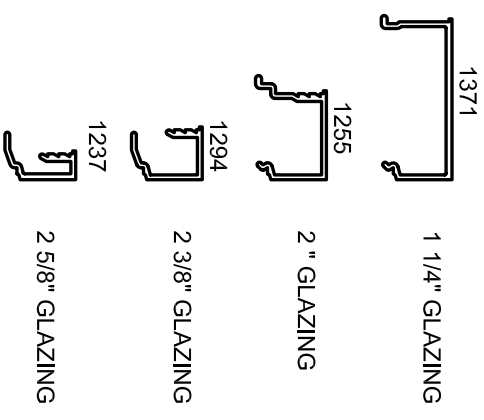


Aluminum Windows

Mon-Ray, Inc.
 Phone: (800) 544-3646
 Fax: (763) 546-8977
 www.monray.com



OPTIONAL GLAZING STOPS



FULL SCALE (11 x 17)

HALF SCALE (8-1/2 x 11)

DeVAC MODEL 630

FIXED PANEL

OPTIONAL DETAILS

OPTIONAL GLAZING THICKNESSES:

1 1/4", 2", 2 3/8" & 2 5/8"

DRAWING DV-630-002