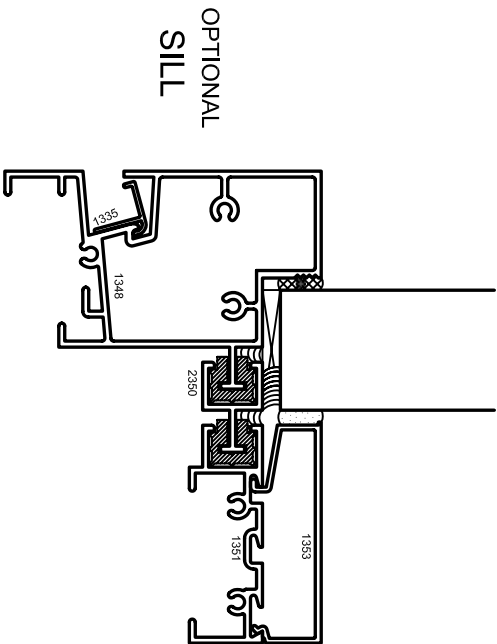
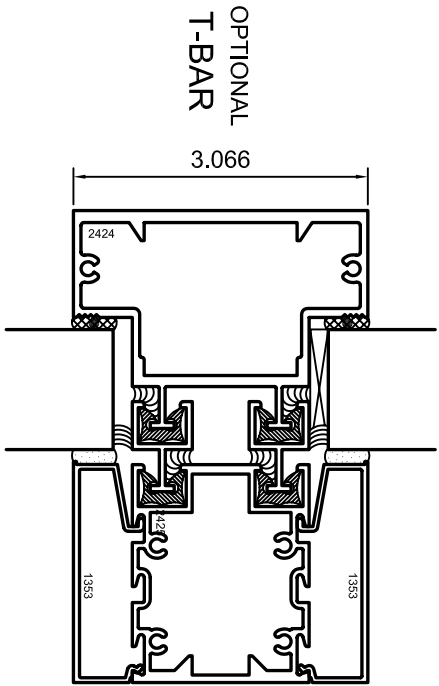
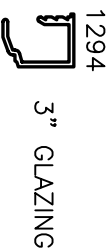
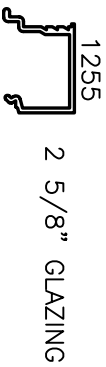
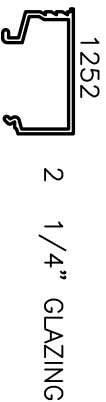
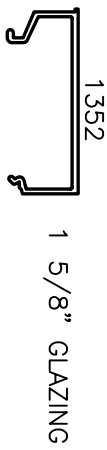
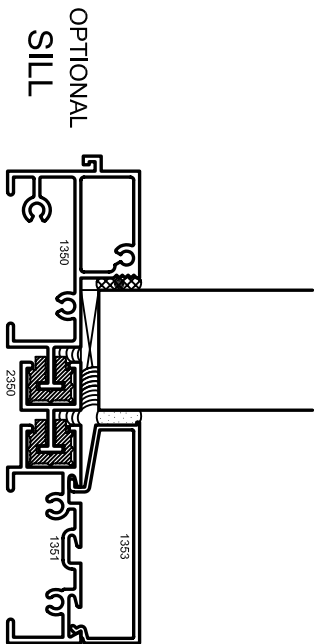
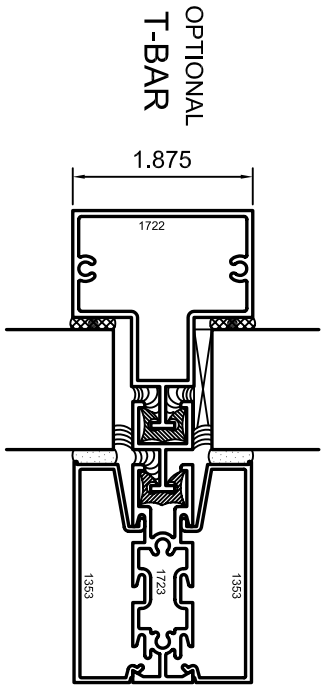




Aluminum Windows

Mon-Ray, Inc.
 Phone: (800) 544-3646
 Fax: (763) 546-8977
 www.monray.com



FULL SCALE (11 x 17)

HALF SCALE (8-1/2 x 11)

DEVAC MODEL 630-DT

FIXED PANEL

OPTIONAL
DETAILS

DRAWING

DV-630-DT-002