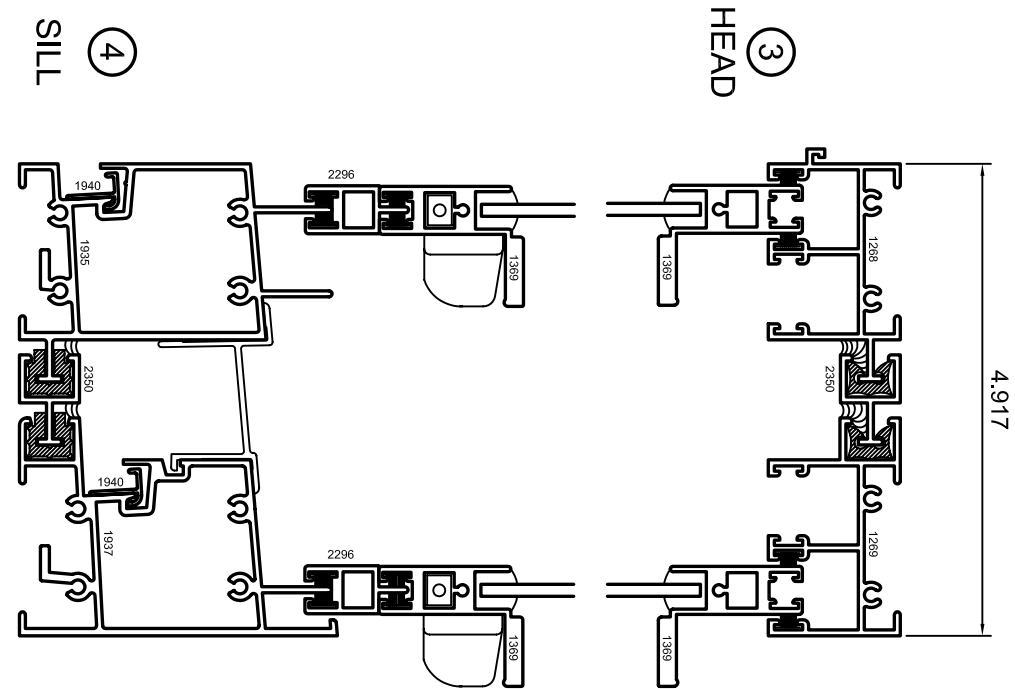
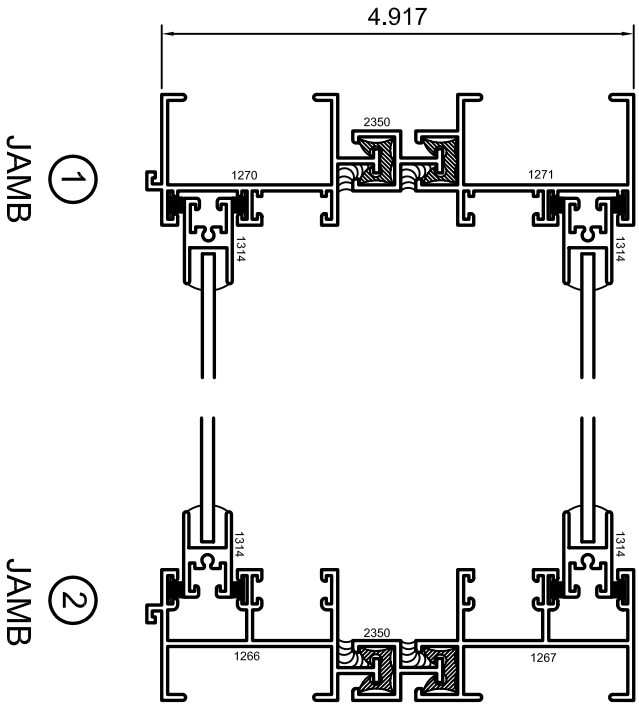
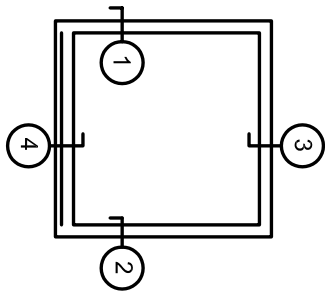




Aluminum Windows

Mon-Ray, Inc.
Phone: (800) 544-3646
Fax: (763) 546-8977
www.monray.com



FULL SCALE (11 x 17)

HALF SCALE (8-1/2 x 11)

DeVAC MODEL 640-DT
SIDE LOAD

REMOVABLE PANEL
W/ DBL T-BARRIER

TYPICAL
DETAILS

STANDARD GLAZING THICKNESS: 1/8"

DRAWING
DV-640-DT-001