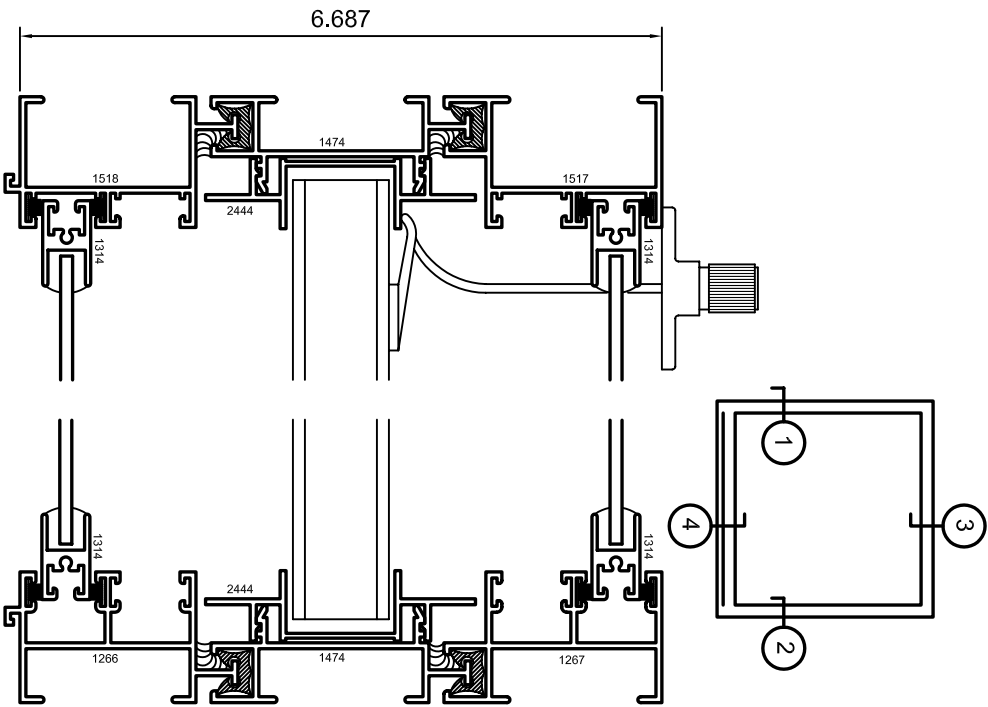




Aluminum Windows

Mon-Ray, Inc.
 Phone: (800) 544-3646
 Fax: (763) 546-8977
 www.monray.com

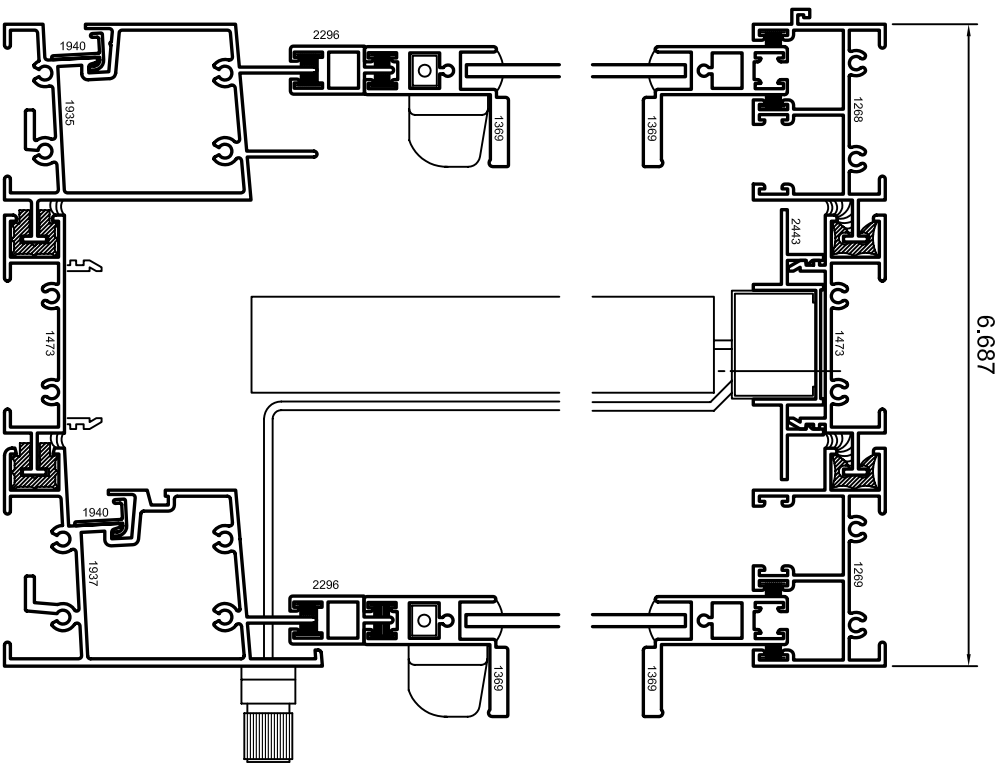


JAMB ①

JAMB ②

HEAD ③

SILL ④



FULL SCALE (11 x 17)

HALF SCALE (8-1/2 x 11)

DeVAC MODEL 640-VB
 SIDE LOAD

REMOVABLE PANEL
 W/ VENETIAN BLIND

TYPICAL
 DETAILS

STANDARD GLAZING THICKNESS: 1/8"

DRAWING
 DV-640-VB-001