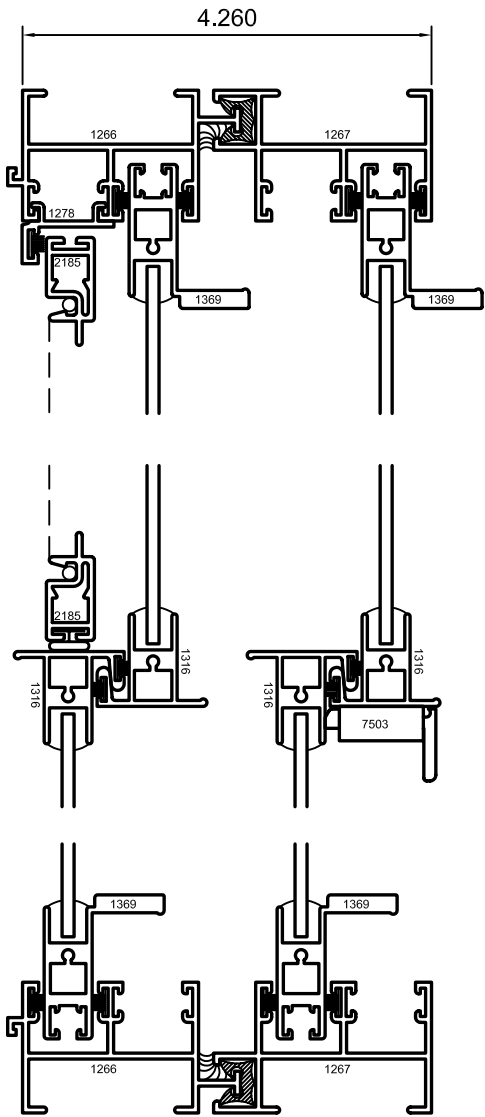
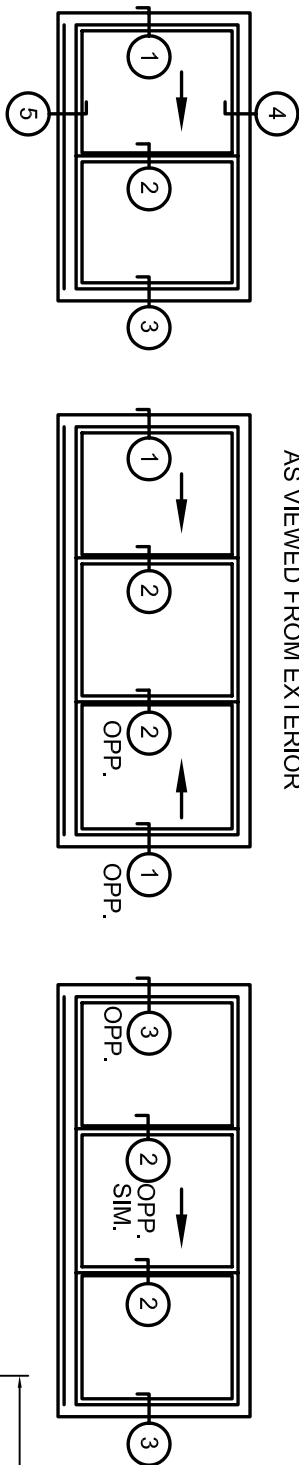




Aluminum Windows

Mon-Ray, Inc.
 Phone: (800) 544-3646
 Fax: (763) 546-8977
 www.monray.com

AS VIEWED FROM EXTERIOR



①

JAMB

②

MEETING RAIL

③

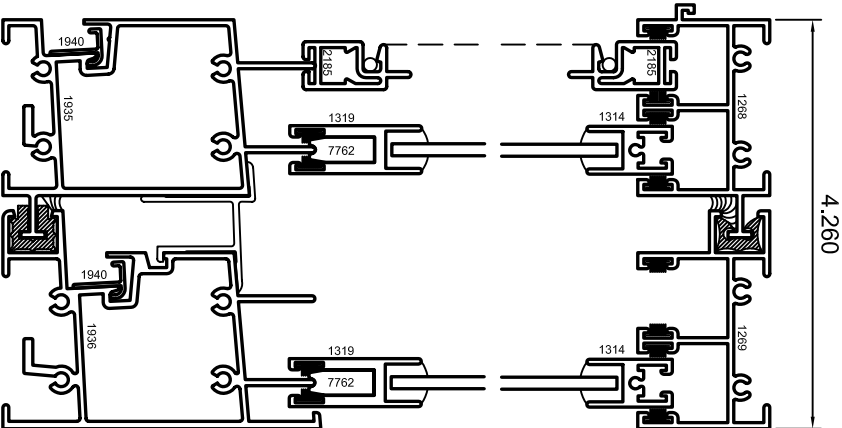
JAMB

④

HEAD

⑤

SILL



FULL SCALE (11 x 17)

HALF SCALE (8-1/2 x 11)

DEVAC MODEL 650

HORIZONTAL SLIDER (GL)

TYPICAL
DETAILS

STANDARD GLAZING THICKNESS: 1/8"

DRAWING
DV-650-001