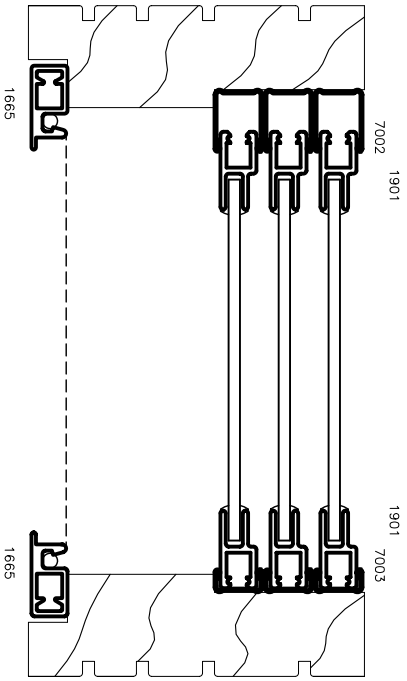
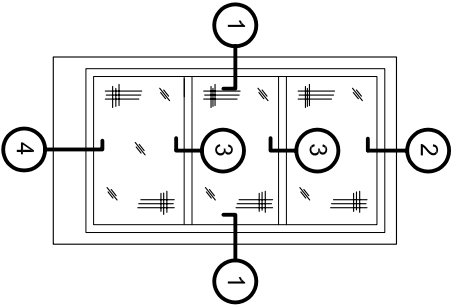




Mon-Ray, Inc.  
 Phone: (800) 544-3646  
 Fax: (763) 546-8977  
 www.monray.com

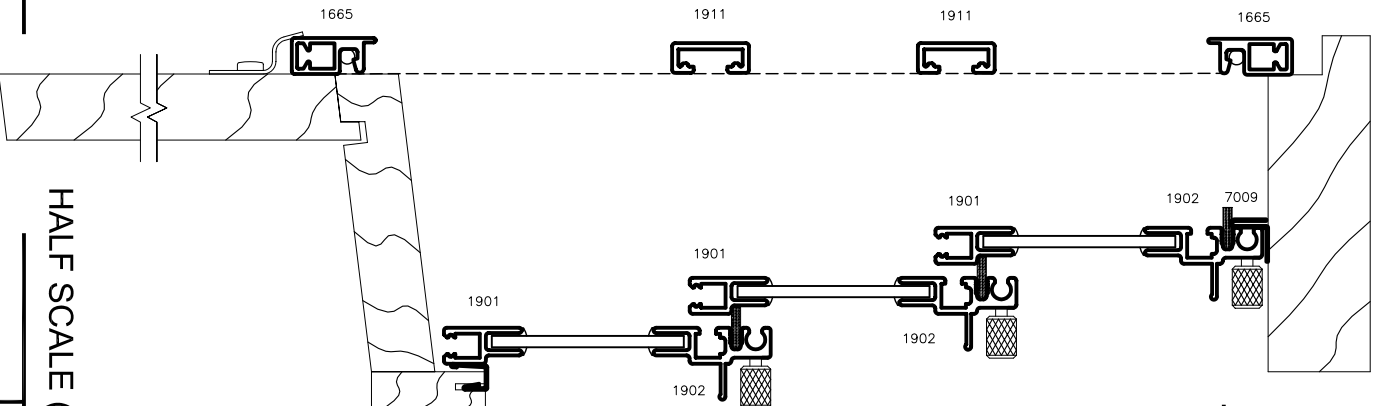


①  
 JAMB

FULL SCALE (11 x 17)

GLASSWALLS PORCH ENCLOSURE

② HEAD  
 ③ MEETING RAIL  
 ③ MEETING RAIL  
 ④ SILL



HALF SCALE (8-1/2 x 11)

GLAZED WITH 1/8" CLEAR TEMPERED GLASS

TYPICAL  
 DETAIL

DRAWING  
 GW-001