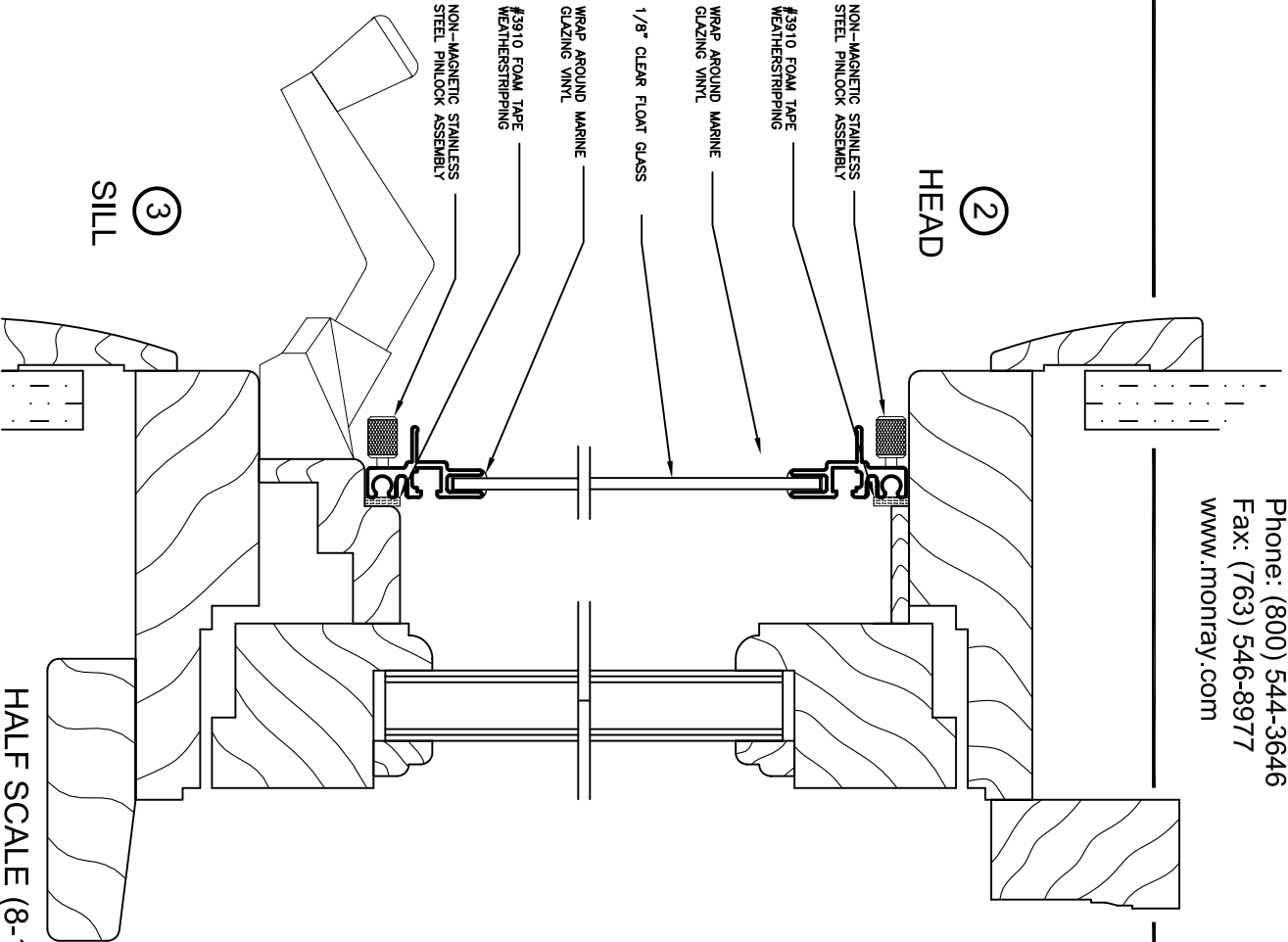
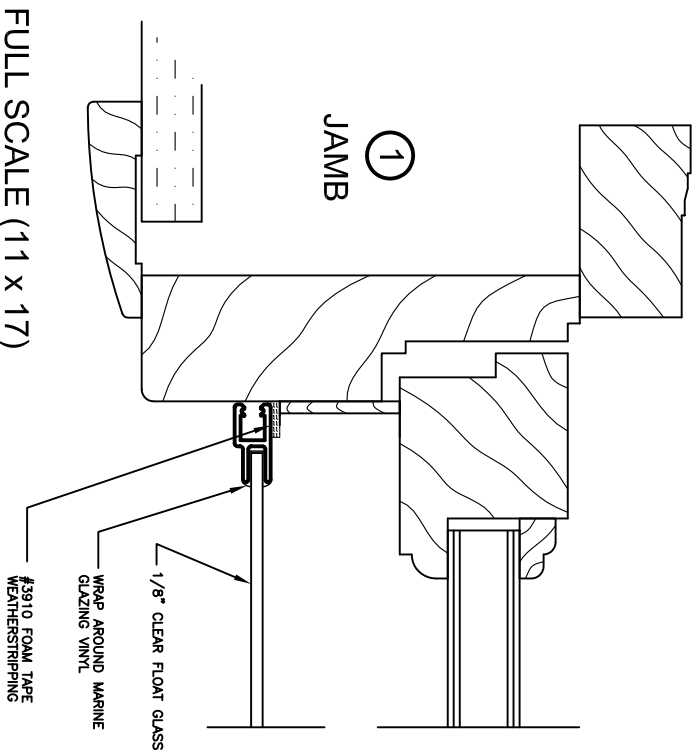
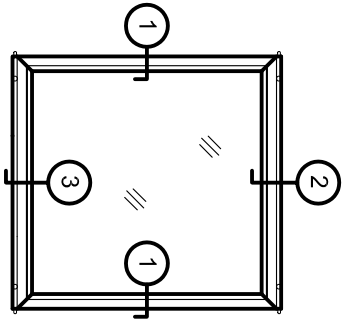


Storm Windows & Doors

Mon-Ray, Inc.
 Phone: (800) 544-3646
 Fax: (763) 546-8977
 www.monray.com



MON-RAY MODEL P-130 - INTERIOR REMOVABLE PANEL CASEMENT

TYPICAL INSTALLATION

GLAZED WITH 1/8" CLEAR FLOAT GLASS

DRAWING MR100-802

FULL SCALE (11 x 17)

HALF SCALE (8-1/2 x 11)