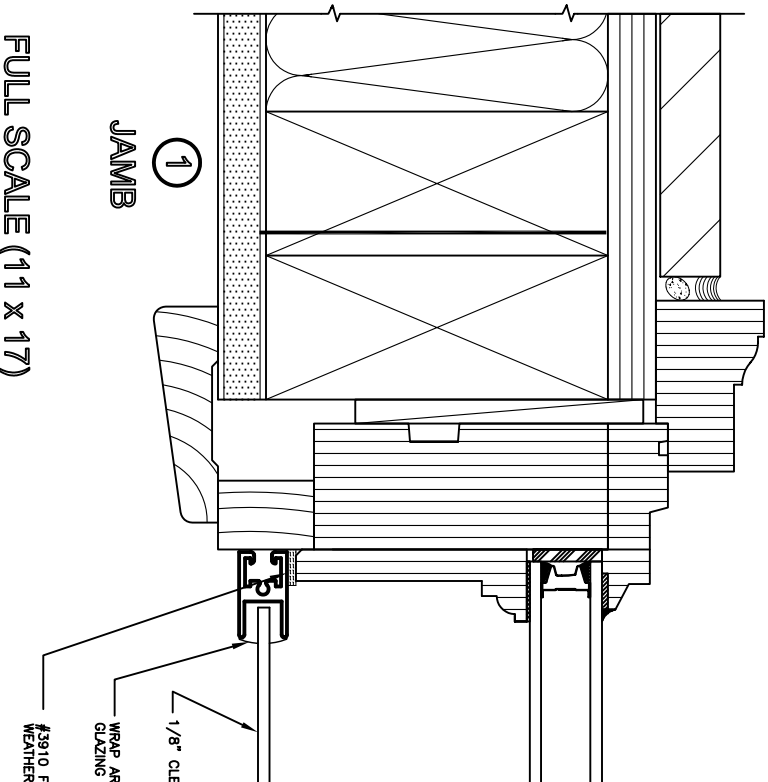
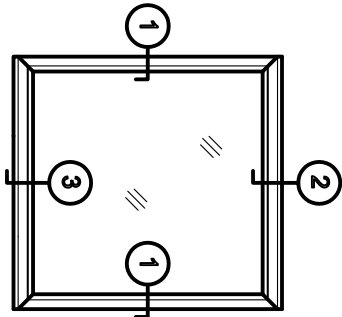
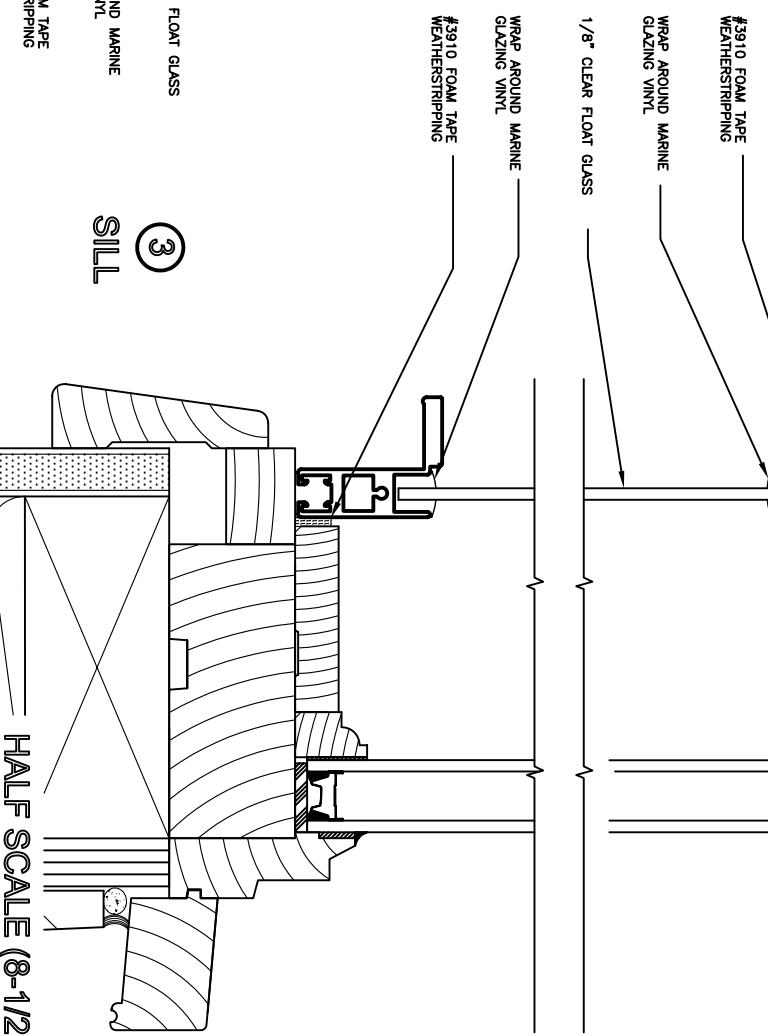


Storm Windows & Doors

Mon-Ray, Inc.
 Phone: (800) 544-3646
 Fax: (763) 546-8977
 www.monray.com



FULL SCALE (11 x 17)



HALF SCALE (8-1/2 x 11)

#3910 FOAM TAPE WEATHERSTRIPPING
 WRAP AROUND MARINE GLAZING VINYL
 1/8" CLEAR FLOAT GLASS
 WRAP AROUND MARINE GLAZING VINYL
 #3910 FOAM TAPE WEATHERSTRIPPING

#3910 FOAM TAPE WEATHERSTRIPPING
 WRAP AROUND MARINE GLAZING VINYL
 1/8" CLEAR FLOAT GLASS
 WRAP AROUND MARINE GLAZING VINYL
 #3910 FOAM TAPE WEATHERSTRIPPING

MON-RAY MODEL P-170 - INTERIOR FIXED PANEL

TYPICAL INSTALLATION

STANDARD WITH 1/8" CLEAR FLOAT GLASS
 OPTIONAL GLAZING 3/16", 1/4" GLASS

DRAWING
 MR100-804