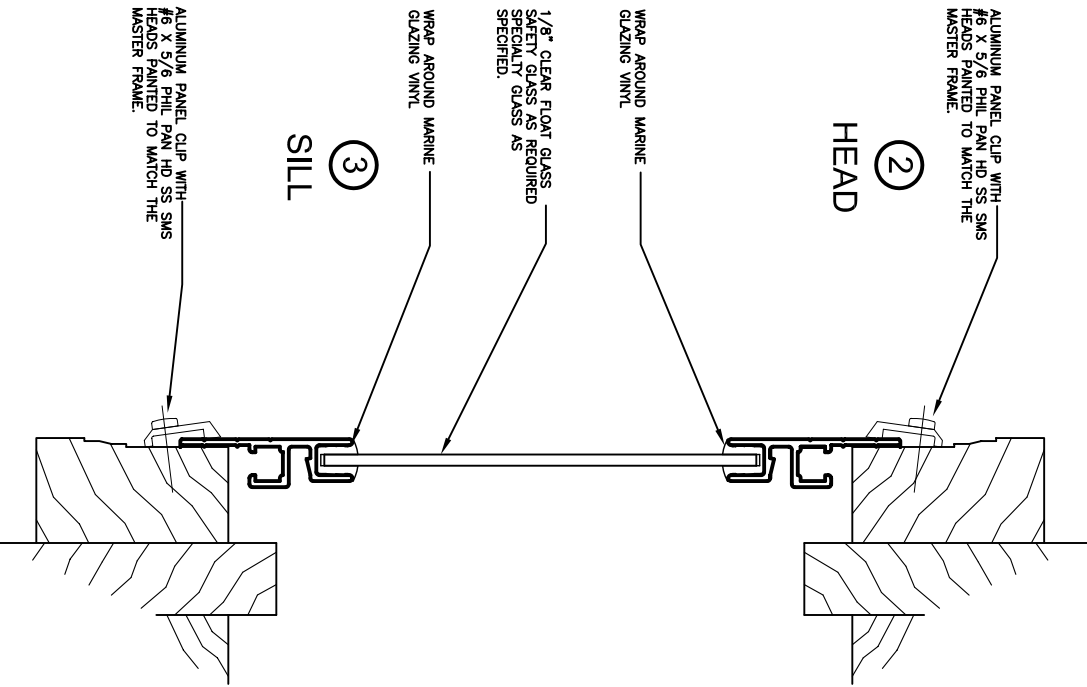
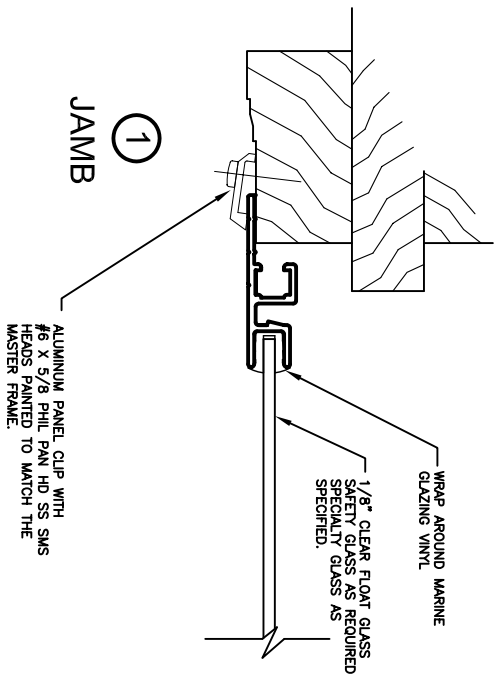
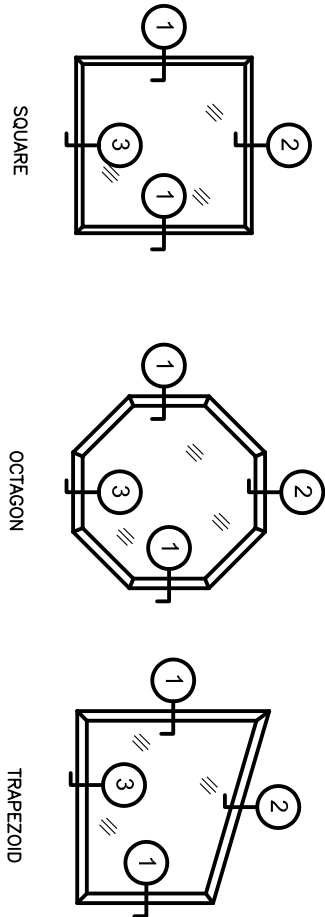


Storm Windows & Doors

Mon-Ray, Inc.
 Phone: (800) 544-3646
 Fax: (763) 546-8977
 www.monray.com



FULL SCALE (11 x 17)

HALF SCALE (8-1/2 x 11)

MON-RAY MODEL 402 - FIXED PANEL WITH OVERLAP FRAME
 PANEL CLIP MOUNT

TYPICAL
 INSTALLATION

STANDARD WITH 1/8" CLEAR FLOAT GLASS
 OPTIONAL GLAZING 3/16", 1/4" & 1/4" LAMINATED

DRAWING
 MR100-806