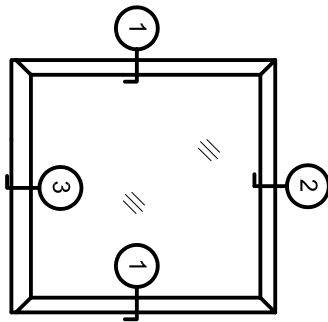
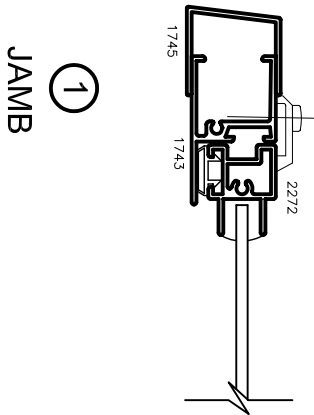


Storm Windows & Doors

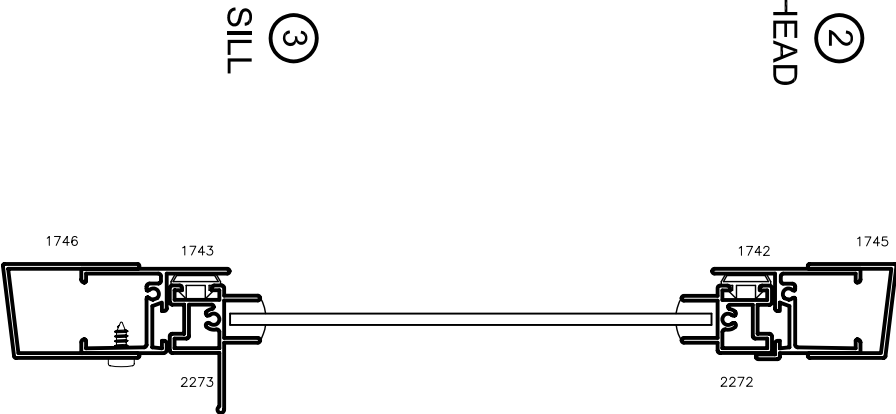
Mon-Ray, Inc.  
 Phone: (800) 544-3646  
 Fax: (763) 546-8977  
 www.monray.com



②  
HEAD



①  
JAMB



③  
SILL

FULL SCALE (11 x 17)

HALF SCALE (8-1/2 x 11)

MON-RAY MODEL 503 - INTERIOR REMOVABLE PANEL  
 FLUSH MOUNT WITH ADJUSTABLE FRAME U-CHANNEL EXPANDERS

OPTIONAL  
DETAIL

STANDARD WITH 1/8" CLEAR ANNEALED GLASS  
 OPTIONAL GLAZING 3/16", 1/4" & 1/4" LAMINATED

DRAWING  
MR-503-002